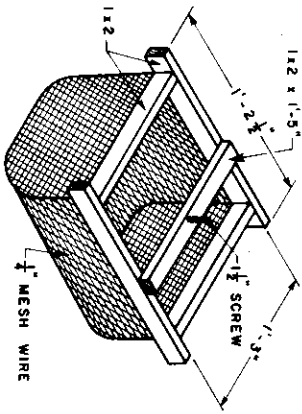
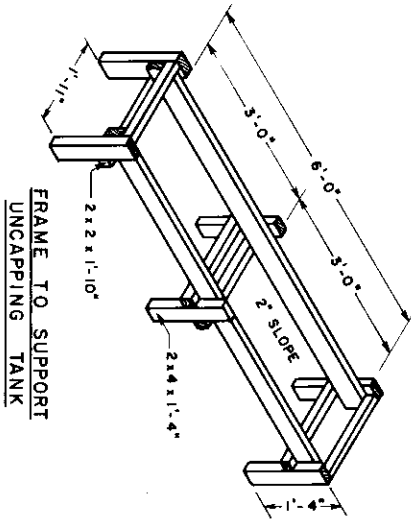


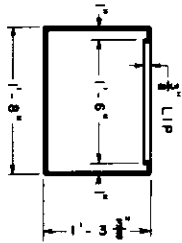
HONEY UNCAPPING TANK



BASKET TO COLLECT WAX CAPPINGS



FRAME TO SUPPORT UNCAPPING TANK



SECTION THRU CONSTRUCTED TANK

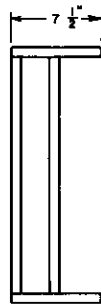
NOTE:
THE UNCAPPING TANK IS USED TO OPEN THE COMBS BEFORE HONEY EXTRACTING. TWO BASKETS MAY BE USED LEAVING APPROXIMATELY 42" TO HANG UNCAPPED COMBS.

MATERIALS:
FRAME 2x2 x 8'-0" PINE
2x4 x 26'-0" PINE
1 LB. 10d NAILS
BASKET 1x2 x 8'-0" PINE
16 1/2 x 3'-0" x 1/4" MESH HDW. CLOTH
TANK 4'-2 3/4" x 8'-6 3/4" x 26 GA. GALVANIZED

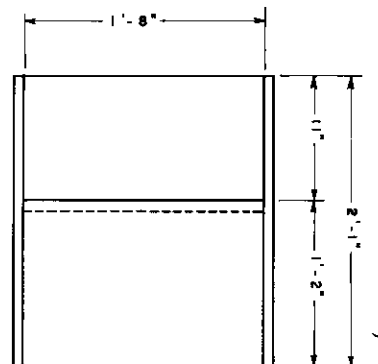
HONEYCOMB UNCAPPING TANK

SCALE: NONE

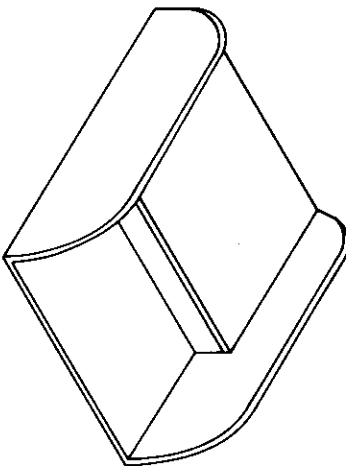
BASED ON FLA. PLAN NO. 928



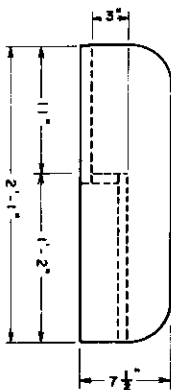
END VIEW



TOP VIEW



ISOMETRIC VIEW



SIDE VIEW

NOTE:
FINISHED UNIT SHOULD BE PAINTED WITH PAINT APPROVED FOR USE IN CONTACT WITH FOOD.

SUPER DUMPING BOARD

SCALE: NONE

BASED ON FLA. PLAN NO. 927

COOPERATIVE EXTENSION WORK IN AGRICULTURE AND HOME ECONOMICS

UNITED STATES DEPARTMENT OF AGRICULTURE COOPERATING AND HONEYCOMB UNCAPPING TANK AND SUPER DUMPING BOARD
USDA '80 EX. 6325 SHEET 1 OF 1